



II 3G



ARTIDOR

AR-052

Installation manual air conditioning systems

Manuel d'installation des systèmes de climatisation

Installationsanleitung Klimaanlage

Installatiehandleiding airconditioning systemen



Content / Contenu / Inhalt / Inhoud

English / Anglais / Englisch / Engels	3 - 10
French / Français / Französisch / Frans	11 - 20
German / Allemand / Deutsch / Duits	21 - 30
Dutch / Néerlandais / Niederländisch / Nederlands	31 - 38
EU Declaration of Conformity	39

Table of contents

1. General	3
2. Safety instructions	4
3. Characteristics	5
4. Application	5
5. Technical data	6
6. Marking	6
7. Installation instructions	7
8. Opening of the housing	8
9. Maintenance	9
10. Repair	9
11. Removal / re-use	9
12. Instructions for use of Ex e connection terminals	10

1. General

Congratulations on your new explosion-safe AR-052 air conditioner. If you follow the instructions in this user manual, your new air conditioner will give you years of enjoyment. The explosion-safe AR-052 air conditioner has been designed to safely provide users with cool and warm air in order to maintain the desired room temperature.

The air conditioning system consists of an outdoor unit and an indoor unit with remote control. In function the system refrigerates air. The indoor unit contains a heat exchanger which is connected to the outdoor unit using special tubing. The outdoor unit provides a continuous flow of cold fluid which decreases the temperature of the heat exchanger, which in its turn absorbs the energy of the air, resulting in a room air temperature decrease. The remote control enables the user to operate the indoor unit.

The outdoor unit consists of a sheet steel enclosure and contains a heat exchanger, a hermetically sealed compressor, one or more valves for controlling the refrigerant, an electrically driven fan assembly, electronics PCB and NTC temperature sensors. The sheet steel enclosure is partly part of the protection degree against ignition applied.

The indoor unit consists of a heat exchanger, an electrically driven fan assembly, electronics PCB and NTC temperature sensors all covered by a non-metallic hood. The infra-red remote control contains electronics with a display and membrane pushbuttons all housed in a non-metallic housing containing two 1,5 V DC AAA dry cell batteries. Alternatively, a wired remote

control for fixed mounting against the wall can be supplied. Power to the wired remote control is provided by the indoor unit.

From explosion safety perspective, the ambient temperature allowed for the apparatus is $-20\text{ }^{\circ}\text{C}$ up to $+52\text{ }^{\circ}\text{C}$. This range might be restricted due to the operational limits of the unit. The AR-052 air conditioners have a CE label and comply with the European EMC and ATEX directives and therefore implicitly comply with the European Low Voltage Directive.

2. Safety Instructions

The air conditioning split unit series AR-052 is an explosion-safe product suitable for use in hazardous areas with explosion hazard from flammable gases, vapors and mist, classified as Zone 2.



This manual must be read and understood for safe use of the air conditioning split unit. All warnings and instructions must be followed.

- Installation must be carried out by personnel trained and qualified in explosion safety taking the instructions mentioned on the equipment and in this manual into consideration. Local regulations that apply to the installation must be followed.
- Only connect this equipment to the correct voltage and mains frequency for which it is designed. Refer to original equipment manufacturers specification or the specifications as mentioned on the OEM's product label as attached to the unit.
- Isolate electrical power to the air conditioning system before electrical installation.
- The plastic cover of the indoor unit can be electrostatically charged. Only use a damp cloth to clean the cover. Do not use solvents.
- For installing external power supplies (mains and connection from indoor unit to outdoor unit) at the connection box only use certified cable glands and blind plugs that are suitable for its use. For example ATEX II 2 G Ex e cable glands can be used.
- Either decommission the air conditioning system or do not use it when it is damaged.
- During installation of the air conditioning system national safety regulations must be observed.
- Only use the air conditioning system under the environmental conditions for which it is specified. Deviating environmental conditions can contribute to damage to the equipment and may lead to possible danger to the life of the user.
- Do not use the air conditioning system at temperatures deviating from the specified ambient temperature range. Please refer to the labels attached to the system.
- An electrical isolating switch must be installed in the vicinity of the outdoor unit which is explosion-safe in accordance with the classification of its environment.

- Pre-fuse the electric power supply in accordance with the power consumption of the air conditioning system.
- The air conditioning system may not be opened in hazardous classified locations unless the environment has been known to be non-hazardous or power is switched off.
- Repairs may only be carried out by the manufacturer or by a person appointed by the manufacturer.
- Modifications to the equipment or changes to the design are not permitted.
- The product may only be used for the function for which it is designed and shall be maintained in a good and clean condition.
- An operating manual for the explosion-safe AR-052 series air conditioners is provided by the original equipment manufacturer. Functionality is not changed by conversion of the unit to explosion-safe.

If these instructions are not followed the explosion safety of the equipment cannot be guaranteed. The equipment could then endanger the life of the user and could cause the ignition of an explosive atmosphere. Consequently, Artidor as the manufacturer will waive any responsibility.

3. Characteristics

The characteristics can be summarized as follows:

- Equipped with a connection box with cable glands and connection terminals.
- Manufactured on the basis of European Directive 2014/34/EU (ATEX 114).
- Suitable for use in gas hazardous areas classified as Zone 2.
- Explosion safety category and protection against ignition applied (typical):
outdoor unit: II 3 G Ex ec h ic mc IIC T3 Gc
indoor unit: II 3 G Ex ec h ic IIC T4 Gc
remote control: II 3 G Ex ic IIC T6 Gc
- Protection degree against ingress of water and dust IP54.

4. Application

The series AR-052 explosion-safe air conditioning units have been designed for and are suitable for use in hazardous classified areas due to flammable gases, vapors and mist. Because they are explosion-safe and certified on the basis of Group II Category 3 G of the ATEX directive they are suitable for use in explosion hazardous areas classified as Zone 2. If use in special environmental conditions is required, please contact the manufacturer Artidor Explosion Safety B.V.

5. Technical Data

Explosion safety category:	ATEX II 3 G
European directives:	2014/30/EU (EMC) and 2014/34/EU (ATEX 114)
Protection against ignition:	Ex ec h ic mc IIC T3 Gc (outdoor unit) Ex ec h ic IIC T4 Gc (indoor unit) Ex ic IIC T6 Gc (remote control)
Standards applied:	EN 60079-0:2018, EN 60079-7:2015 / A1:2018, EN 60079-11:2012, EN 60079-18:2015 / A1:2017, EN 80079-36:2016 and EN 80079-37:2016
Certification document:	Unit assessment certificate
Ambient temperature:	-20 °C to +52 °C
Sealed against moisture and dust:	IP54 according to EN 60529
Material housing outdoor unit:	Sheet steel plating
Material housing indoor unit:	Sheet steel frame and non-metallic cover
Connection terminals:	Phoenix UK5N and USLKG5 4 mm ² Ex e terminals
Earth connection:	External, M6, stainless steel

6. Marking

With regard to explosion safety the air conditioning unit has been assessed, modified, certified and marked on the basis of the essential health and safety requirements of European Directive 2014/34/EU (ATEX 114) relating to Group II Category 3 G. Compliance with the Essential Health and Safety Requirements of the ATEX Directive is achieved through application of the latest harmonized technical standards. The modification of the equipment to explosion-safe does not affect the conformity to the European Directives as declared by the original equipment manufacturer.

The specific marking of the air conditioning units depends on the applicable model of the air conditioning system and will be created during the assessment and certification process of the specific unit:

outdoor unit: II 3 G Ex ec h ic mc IIC T3 Gc

indoor unit: II 3 G Ex ec h ic IIC T4 Gc

remote control: II 3 G Ex ic IIC T6 Gc

This marking means that the AR-052 air conditioners have been designed for industrial applications and comply with the requirements for Category 3 equipment used in potentially hazardous areas due to the presence of gas, mist or vapor. This makes them suitable for use in Zone 2.

The protection techniques used are Increased Safety (ec), Constructional Safety (h), Intrinsic Safety (ic) and Molding (mc). Gas group IIC applies. The temperature class for the ignition of

gas, mist or vapor is T3 for the outdoor / condenser unit and T4 for the indoor / evaporator unit. The AR-052 air conditioning system is suitable for ambient temperatures of -20 °C up to +52 °C.



Example of an outdoor unit label



Example of an indoor unit label

7. Installation instructions

General

- Installation of explosion-safe equipment such as this product must be carried out by personnel specially trained and qualified to do this, following the relevant requirements of the installation standard EN 60079-14.
- For the installation and use of this product the relevant safety regulations and also the generally recognized latest state of the technology apply. Also follow the national regulations and legal requirements relating to electrical connections to the electricity grid.
- Isolate power prior to installation.

Electrical connection

- All models are fitted with a connection box with cable glands and suitable terminals.
- Follow the instructions as stated under the previous heading 'General'.
- Ensure that the cable gland fits the cable used with respect to clamping size and type of cable. If not then apply a suitable cable gland and make sure that it is approved for its application.
- Connect an earth wire to the external earth boss and ensure that this is sufficiently connected to electrical ground.
- The electrical power supply must be connected as described in the OEM installation manual. The original connection terminals are replaced by terminals in a connection box. Marking of the original terminals is copied to the terminals in the connection box. Power terminals are marked by label 'Power In'.
- The electrical connection from outdoor unit to indoor unit and to the wired remote control must be connected as described in the OEM installation manual. The original connection terminals are replaced by terminals in a connection box. Marking of the original terminals is copied to the terminals in a connection box. Terminals for connection of the cable to the indoor unit are marked as "To Indoor unit" or as "To Indoor unit #" in case of a multi-split outdoor unit.
- Additionally, an earth wire must be connected to the PE connection terminal.
- Remove the external insulation from the cable over a sufficient length.
- Feed the cable into the connection compartment and fix the cable gland into place.
- Connect the connection wires and follow the instructions as given in this manual in chapter (12) "Instructions for use of Ex e connection terminals".
- Tighten all screws of all connection terminals and close the cover.

8. Opening of the housing

The unit contains no components that need direct access during normal operation. The following warning is marked: "The air conditioning unit is modified to explosion-safe meeting ATEX requirements II 3 G. No serviceable parts inside. Refer to qualified personnel as substitution of parts may impair the suitability for use in hazardous areas."

The housing may only be opened under non-hazardous safe conditions. To do this follow the instructions as described under the following heading 'Repair'.

The compartment that contains the connection terminals is accessible to the user by unscrewing the four cover screws. Opening is only permitted when the power supply has been switched off and the area has been known to be non-hazardous.

9. Maintenance

For the maintenance of the AR-052 air conditioning units the requirements as stated in EN 60079-17 apply.

If the air conditioning system is no longer in good condition or damaged it must be repaired immediately. The power supply to the air conditioning units must be switched off and may only be restored after the maintenance has been carried out and approved.

For the advised maintenance cycles of the air conditioning unit we refer to the operation manual provided by the original equipment manufacturer.

The batteries of the infra-red remote control may only be replaced by batteries of the same size and type as provided with the original product.

10. Repair

Repairs to the AR-052 air conditioning system may only be executed by applying original parts that are assessed, converted and marked by Artidor Explosion Safety B.V. Repairs may only be carried out by qualified skilled workers who have been trained in accordance with EN 60079-19. Applying of non-assessed, non-converted, non-marked parts may lead to injury to persons and damage to equipment.

If non-original parts are used or repairs are carried out in an incompetent manner, the explosion-safety of the air conditioning unit can no longer be guaranteed. Therefore it is preferred that the air conditioning unit will be returned to the manufacturer or its representative for repair.

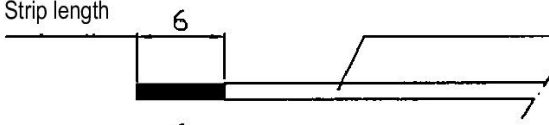
If the housing is opened care must be taken of the following:

- The housing must not be opened unless power is switched off prior to repair.
- The housing must not be opened unless the area has been known to be non-hazardous.
- If opened, the AR-052 air conditioning unit shall be dismantled in a logical sequence.

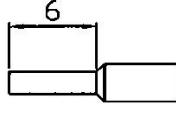
11. Removal / re-use

For processing regarding disposal or reuse of the product and its packaging, national disposal and environmental laws and legislation must be taken into consideration.

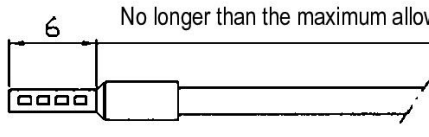
12. Instructions for use of Ex e connection terminals

1. Wire
 

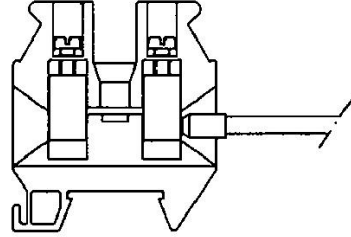
Strip length 6

Wire of external connection cable.
Insulation temperature resistant 70°C or higher.
2. Ferrule
 

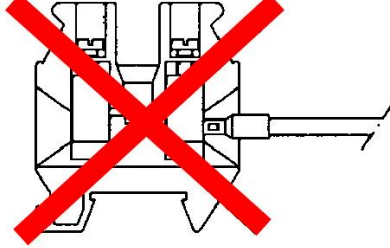
6

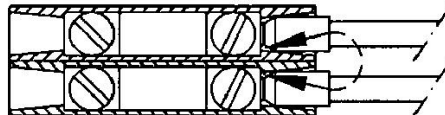
Ferrule with insulated sleeve, temperature resistant 70°C or higher.
Size suitable for its connection to the wire applied.
3. Connection wire assembly
 

6

No longer than the maximum allowed strip length of the terminal applied.
4. Connection of wire to the Ex e terminal
 

RIGHT
Ferrule pin installed in a proper way, without metal blank surface left, assuring the clearance distance of > 5 mm.



WRONG
Ferrule pin installed in a bad way: the exposed blank metal surface could invalidate the clearance distance between two terminals
5. Clearance distance
 

Minimum clearance distance between blank metal live parts > 5 mm

Alterations can be made to this user manual without notice.

Manuel d'installation des systèmes de climatisation AR-052

Table des matières

1.	Généralités	11
2.	Consignes de sécurité	12
3.	Caractéristiques	13
4.	Utilisation	14
5.	Données techniques	14
6.	Marquage	14
7.	Instructions d'installation	16
8.	Ouverture du boîtier	17
9.	Entretien	17
10.	Réparation	18
11.	Élimination / réutilisation	18
12.	Instructions pour l'utilisation de bornes de raccordement Ex e	19

1. Généralités

Félicitations pour l'achat de votre système de climatisation antidéflagrant AR-052. À condition de respecter les instructions fournies dans le présent manuel, vous profiterez de votre nouveau système de climatisation pendant de nombreuses années.

Le système de climatisation se compose d'une unité extérieure et d'une unité intérieure à télécommande. En service, le système refroidit l'air. L'unité intérieure contient un échangeur de chaleur qui est raccordé à l'unité extérieure par une tuyauterie spéciale. L'unité extérieure assure un flux continu de fluide froid qui fait baisser la température de l'échangeur de chaleur lequel extrait à son tour la chaleur de l'air, ce qui induit une diminution de la température ambiante. La télécommande permet à l'utilisateur de commander l'unité intérieure.

L'unité extérieure est placée dans un caisson en tôle et contient un échangeur de chaleur, un compresseur hermétiquement fermé, une ou plusieurs vannes de régulation du réfrigérant, un ventilateur électrique, de composants électroniques et des sondes de température de type CTN. Le caisson en tôle fait partiellement partie de la protection utilisée contre les sources d'inflammation.

L'unité intérieure se compose d'un échangeur de chaleur, d'un ventilateur électrique, de composants électroniques et de sondes de température de type CTN, le tout recouvert d'un capot en matière plastique. La télécommande à infrarouge contient des composants électroniques avec afficheur et clavier à membrane (touches souples) dans un boîtier en

matière plastique qui abrite également deux piles AAA 1,5 V DC. En tant qu'alternative, une télécommande câblée peut être fournie pour montage mural. La télécommande câblée est alimentée en courant par l'unité intérieure.

Du point de vue de la sécurité contre les explosions, la température ambiante autorisée pour l'appareil se situe entre -20 °C et +52 °C. Cette plage de température peut être restreinte par les limites opérationnelles du système.

Le système de climatisation AR-052 est pourvu du marquage CE, il se conforme aux directives européennes CEM et ATEX et donc implicitement à la directive Basse tension.

2. Consignes de sécurité

Le système de climatisation split de la série AR-052 est un produit antidéflagrant adapté à une utilisation dans des environnements classés dans la Zone 2, où une atmosphère explosive consistant en un mélange avec l'air de substances inflammables sous forme de gaz, de vapeur ou de brouillard est susceptible de se présenter.



Pour une utilisation sécurisée du climatiseur, veuillez lire le présent manuel et vous assurer de l'avoir compris, tenir compte de tous les avertissements et suivre les instructions.

- Seul un personnel qualifié et dûment formé en protection contre les explosions est autorisé à installer le système. Il est indispensable de respecter les inscriptions mentionnées sur l'appareil, les instructions figurant dans le présent manuel et les normes d'installation en vigueur localement.
- Branchez cet appareil uniquement à la tension d'alimentation et à la fréquence réseau pour lesquelles il a été conçu. Consultez les caractéristiques techniques de l'appareil d'origine ou celles apposées par le fabricant sur l'appareil.
- Mettez le climatiseur hors tension avant tout raccordement ou toute déconnexion électrique.
- Le boîtier en matière plastique de l'unité intérieure peut se charger en électricité statique. Par conséquent, utilisez exclusivement un chiffon humide pour le nettoyage. N'utilisez pas de solvants.
- Seuls des presse-étoupes et des bouchons borgnes certifiés doivent être utilisés pour installer l'alimentation (alimentation principale et raccordements de l'unité extérieure vers l'unité intérieure) dans la boîte de jonction. Utilisez par exemple des presse-étoupes ATEX II 2 G Ex e.
- N'utilisez pas le climatiseur ou mettez-le hors service s'il est endommagé.
- Les consignes de sécurité nationales doivent être respectées lors de la mise en service.

- Utilisez le climatiseur uniquement dans les conditions ambiantes indiquées. Des conditions ambiantes différentes peuvent endommager l'appareil et mettre en danger la vie de l'utilisateur.
- N'utilisez pas le climatiseur en-dehors de la plage de température ambiante mentionnée.
- Un interrupteur de sécurité antidéflagrant conforme à la classification ATEX doit être installé à proximité de l'unité extérieure.
- Protégez l'alimentation par fusible conformément à la consommation électrique du système.
- Le système de climatisation ne doit pas être ouvert dans des environnements potentiellement explosifs, sauf si l'on sait que l'atmosphère n'est pas dangereuse ou que l'équipement a été mis hors tension.
- Seul le fabricant ou une personne désignée par celui-ci est autorisé à effectuer des réparations.
- Toute modification de l'appareil ou tous changements apportés à sa conception ne sont pas autorisés.
- Le produit ne peut être utilisé que dans le but pour lequel il a été conçu et doit être maintenu en bon état et propre.
- Le fabricant d'origine fournit un manuel d'utilisation pour les climatiseurs de la série AR-052. La fonctionnalité est restée inchangée, même après la conversion effectuée pour garantir le caractère antidéflagrant.

Si les instructions précitées ne sont pas respectées, la protection de l'appareil contre les explosions ne peut pas être garantie. L'appareil pourrait alors mettre en danger la vie de l'utilisateur et provoquer l'inflammation d'une atmosphère potentiellement explosive.

3. Caractéristiques

Caractéristiques du système:

- Équipé d'une boîte de jonction avec presse-étoupes et bornes de raccordement.
- Fabriqué conformément à la Directive européenne 2014/34/UE (ATEX 114).
- Convient à une utilisation dans des zones à risque d'explosion (gaz) classées dans la Zone 2.
- Catégorie de produit appliquée et protection contre l'inflammation (typique):
unité extérieure: II 3 G Ex ec h ic mc IIC T3 Gc
unité intérieure: II 3 G Ex ec h ic IIC T4 Gc
télécommande: II 3 G Ex ic IIC T6 Gc
- Degré de protection contre la pénétration d'eau et de poussières IP54.

4. Utilisation

Les climatiseurs antidéflagrants AR-052 ont été conçus pour être utilisés et conviennent à une installation dans des emplacements classés où une atmosphère explosive consistant en un mélange avec l'air de substances inflammables sous forme de gaz, de vapeur et de brouillard est susceptible de se présenter. Comme ils sont antidéflagrants et certifiés sur la base du Groupe II Catégorie 3 G de la Directive européenne ATEX, ils conviennent à une utilisation dans des zones potentiellement explosives classées dans la Zone 2. Veuillez contacter Artidor Explosion Safety B.V. avant toute utilisation dans des environnements spéciaux.

5. Données techniques

Catégorie:	ATEX II 3 G
Directives européennes:	2014/30/UE (CEM) et 2014/34/UE (ATEX 114)
Mode de protection:	Ex ec h ic mc IIC T3 Gc (unité extérieure) Ex ec h ic IIC T4 Gc (unité intérieure) Ex ic IIC T6 Gc (télécommande)
Normes appliquées:	EN 60079-0:2018, EN 60079-7:2015 / A1:2017 EN 60079-11:2012, EN 60079-18:2015 / A1:2018, EN 80079-36:2016 et EN 80079-37:2016
Certificat:	Attestation de vérification à l'unité
Température ambiante:	-20 °C à +52 °C
Degré de protection:	IP54 selon EN 60529
Matériau caisson extérieur:	Caisson en tôle
Matériau boîtier unité intérieure:	Cadre en tôle et capot en matière plastique
Raccordement:	Bornes de raccordement Ex e 4 mm ² Phoenix UK5N et USLKG5
Mise à la terre:	Externe, M6, acier inoxydable

6. Marquage

Concernant la protection contre les explosions, les climatiseurs ont été examinés, modifiés, certifiés et pourvus d'un marquage sur la base des exigences de sécurité essentielles de la Directive européenne 2014/34/UE (ATEX 114) relatives au Groupe II Catégorie 3 G. La conformité aux Exigences essentielles de santé et de sécurité de la directive ATEX est atteinte via l'application des dernières normes techniques harmonisées. La conversion du système effectuée pour garantir le caractère antidéflagrant n'influe pas sur la conformité aux directives européennes, comme indiqué dans la Déclaration de Conformité délivrée par le fabricant de l'appareil d'origine.

Le marquage spécifique des unités de climatisation dépend du modèle spécifique. Le marquage résulte de l'examen et du processus de certification de l'unité spécifique:

unité extérieure: II 3 G Ex ec h ic mc IIC T3 Gc

unité intérieure: II 3 G Ex ec h ic IIC T4 Gc

télécommande: II 3 G Ex ic IIC T6 Gc

Ce marquage signifie que les systèmes de climatisation AR-052 ont été conçus pour des applications industrielles et qu'ils sont conformes aux exigences imposées aux équipements de la Catégorie 3 destinés à un usage dans des environnements potentiellement explosifs en raison de la présence de gaz, de vapeur ou de brouillard. Par conséquent, les unités conviennent à une utilisation en Zone 2.

Les modes de protection utilisés sont: Sécurité augmentée (ec), Sécurité à la Construction (h), Sécurité intrinsèque (ic) et Encapsulation (mc). Le Groupe de gaz IIC est applicable. La classe de température pour l'inflammation de gaz, de vapeur ou de brouillard est T3 pour l'unité extérieure et T4 pour les unités intérieures.

Les systèmes de climatisation AR-052 sont adaptés à des températures ambiantes comprises entre -20 °C et +52 °C.



Exemple d'étiquette d'une unité extérieure



Exemple d'étiquette d'une unité intérieure

7. Instructions d'installation

Généralités

- L'installation de matériel antidéflagrant et donc également de ce produit doit être confiée à un personnel qualifié et spécialement formé, de manière à ce que les dispositions pertinentes de la norme d'installation EN 60079-14 soient respectées.
- Concernant l'installation et l'utilisation de ce produit, il est nécessaire de tenir compte des consignes de sécurité correspondantes et du dernier état de la technique généralement reconnu. Respectez la réglementation nationale ainsi que les conditions juridiques concernant les connexions électriques au réseau d'électricité.
- Débranchez l'alimentation électrique avant l'installation.

Raccordements électriques

- Tous les modèles sont équipés d'une boîte de jonction avec presse-étoupes et bornes de raccordement.
- Suivez les instructions figurant au précédent paragraphe « Généralités ».
- Assurez-vous que le diamètre de passage des bornes et le type de presse-étoupe conviennent au câble utilisé. Si ce n'est pas le cas, veuillez utiliser un presse-étoupe adapté à l'application.
- Branchez un câble de terre à la prise de terre externe et assurez-vous qu'il est suffisamment raccordé à la terre.
- La tension d'alimentation doit être raccordée comme indiqué dans le manuel d'installation d'origine. Les bornes de raccordement d'origine ont été remplacées par des bornes dans une boîte de jonction. Vous trouverez le marquage des bornes de raccordement d'origine sur les bornes dans la boîte de jonction. Les bornes de raccordement pour la tension d'alimentation sont repérées par l'étiquette « Power In ».

- L'unité intérieure doit être raccordée à l'unité extérieure et à la télécommande fixe, comme indiqué dans le manuel d'installation d'origine. Les bornes de raccordement d'origine ont été remplacées par des bornes dans une boîte de jonction. Vous trouverez le marquage des bornes d'origine sur les bornes dans la boîte de jonction. Les bornes de raccordement pour le câble vers l'unité intérieure sont repérées par « To Indoor unit » ou « To Indoor unit # » dans le cas d'une unité extérieure multi-split.
- En outre, un câble de terre doit être raccordé à la borne de raccordement PE.
- Retirez l'isolation du câble sur une longueur suffisante.
- Passez le câble à travers le presse-étoupe dans la boîte de jonction et vissez le presse-étoupe.
- Raccordez les fils en suivant les instructions figurant dans le présent manuel au chapitre (12) « Instructions pour l'utilisation de bornes de raccordement Ex e ».
- Serrez toutes les vis de toutes les bornes de raccordement et fermez le capot.

8. Ouverture du boîtier

L'unité ne contient pas de composants auxquels l'utilisateur doit avoir accès pendant une utilisation normale. L'avertissement suivant a été apposé sur l'unité : « The air conditioning unit is modified to explosion-safe meeting ATEX requirements II 3 G. No serviceable parts inside. Refer to qualified personnel as substitution of parts may impair the suitability for use in hazardous areas. »

Le boîtier ne peut être ouvert que dans un environnement qui n'est pas potentiellement explosif. Pour ce faire, suivez les instructions figurant au chapitre « Réparation ».

Le compartiment où se trouvent les bornes de raccordement est accessible à l'utilisateur. Pour y accéder, il suffit de retirer les quatre vis du couvercle. L'ouverture du couvercle n'est autorisée que si l'appareil est hors tension et que l'environnement n'est pas potentiellement explosif.

9. Entretien

Les règles prévues à la norme EN-60079-17 s'appliquent à l'entretien des climatiseurs AR-052.

Si le climatiseur a été endommagé ou qu'il n'est plus en bon état pour une autre raison, il doit être réparé immédiatement. Si une réparation est nécessaire, le climatiseur doit être mis hors tension et une remise sous tension ne peut avoir lieu qu'après approbation de la réparation.

Concernant l'intervalle d'entretien nécessaire au climatiseur, nous vous renvoyons au manuel du fabricant de l'appareil d'origine.

Les piles de la télécommande à infrarouge doivent être remplacées exclusivement par des piles de même format et de même type que celles fournies à l'origine.

10. Réparations

Les réparations à apporter aux climatiseurs AR-052 ne peuvent être effectuées qu'en utilisant des pièces détachées d'origine, qui ont été vérifiées, transformées et étiquetées par Artidor Explosion Safety B.V. Les réparations ne doivent être effectuées que par un personnel qualifié, dûment formé selon la norme EN 60079-19. L'utilisation de pièces détachées non vérifiées, non converties ou sans marquage peut entraîner des blessures corporelles ou des dommages matériels.

La protection contre les explosions du climatiseur ne peut plus être garantie en cas d'utilisation de pièces détachées autres que les pièces d'origine ou en cas de réparations non professionnelles. C'est pourquoi il est préférable pour toute réparation de retourner le climatiseur au fabricant ou à son représentant.

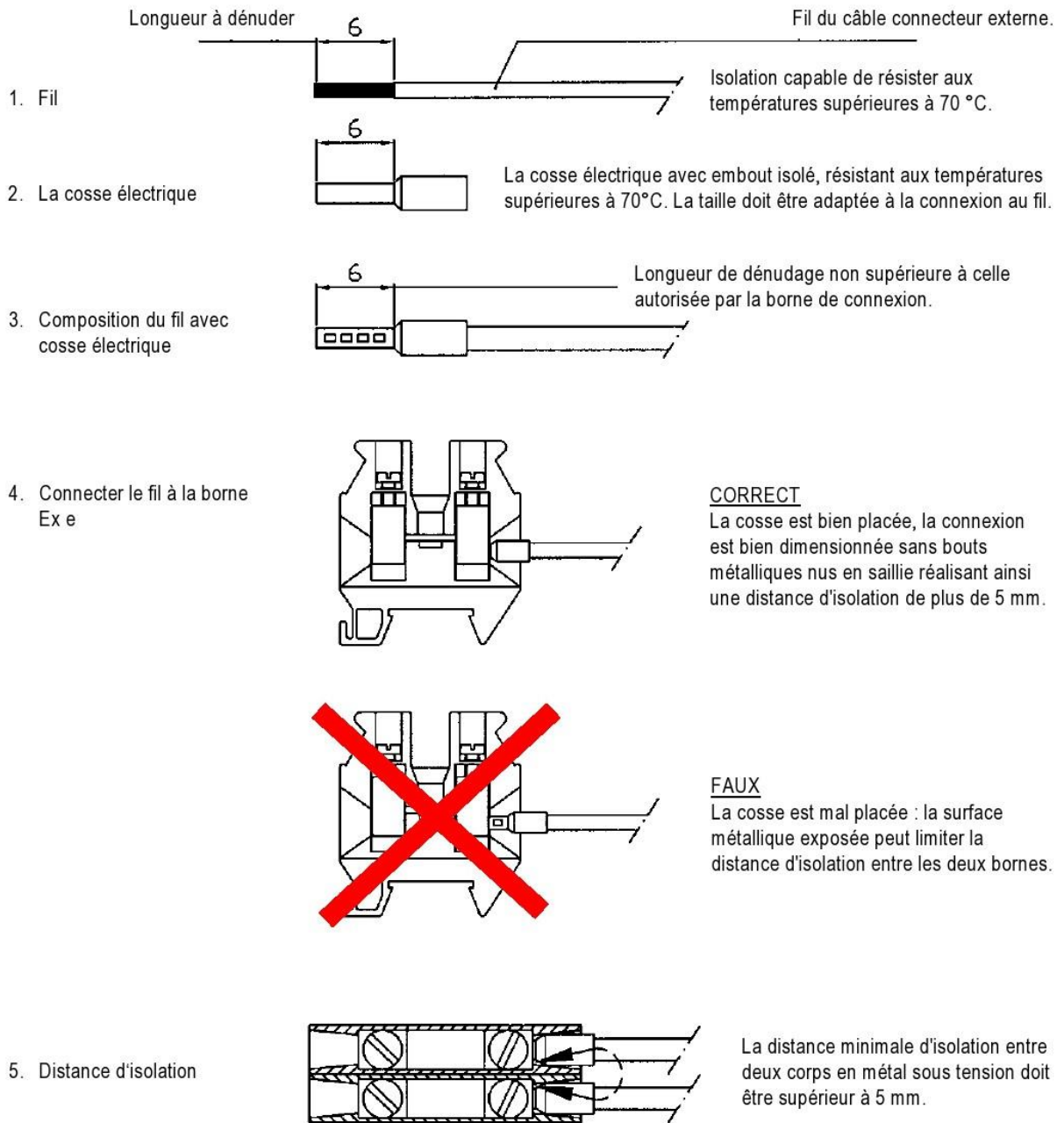
Les consignes suivantes sont à respecter en cas d'ouverture du boîtier :

- Le boîtier ne doit être ouvert que si l'appareil a été mis hors tension avant la réparation.
- Le boîtier ne doit être ouvert que si l'environnement n'est pas potentiellement explosif.
- Une fois ouvert, le climatiseur AR-052 doit être démonté dans un ordre logique.

11. Élimination / réutilisation

Les lois nationales et la réglementation en matière de protection de l'environnement doivent être respectées avant toute élimination ou réutilisation du produit et de l'emballage.

12. Instructions pour l'utilisation de bornes de raccordement Ex e



F

Ce manuel peut être modifié sans préavis.

F

Installationsanleitung AR-052 Klimaanlage

Inhaltsangabe

1.	Allgemeines	21
2.	Sicherheitshinweise	22
3.	Eigenschaften	23
4.	Technische Daten	24
5.	Anwendung	24
6.	Kennzeichnung	24
7.	Einbauvorschriften	26
8.	Öffnen des Gehäuses	27
9.	Wartung	27
10.	Reparatur	28
11.	Entsorgung / Wiederverwendung	28
12.	Anweisungen für den Anschluss der Ex e Anschlussklemmen	29

1. Allgemeines

Wir gratulieren Ihnen zum Kauf der explosions sicheren AR-052 Klimaanlage. Wenn Sie sich an die Anweisungen in dieser Gebrauchsanleitung halten, werden Sie viele Jahre Freude an Ihrer neuen Klimaanlage haben.

Die Klimaanlage besteht aus einem Außen- und einem Innengerät mit Fernbedienung. In Betrieb kühlt das System Luft. Das Innengerät enthält einen Wärmetauscher, der mit dem Außengerät mithilfe eines Spezi schlauchs verbunden ist. Das Außengerät liefert einen kontinuierlichen Fluss von kaltem Medium, das die Temperatur des Wärmetauschers senkt, der wiederum die Luftenergie absorbiert, was zu einer Reduzierung der Raumlufttemperatur führt. Mit der Fernbedienung kann der Benutzer das Innengerät bedienen.

Das Außengerät verfügt über ein Stahlblechgehäuse und enthält einen Wärmetauscher, einen hermetisch abgedichteten Kompressor, ein oder mehrere Ventile zur Steuerung des Kühlmittels, einen elektrisch angetriebenen Lüfter, Elektronik und NTC-Temperatursensoren. Das Stahlblechgehäuse ist Teil des angewendeten Zündschutzes.

Das Innengerät besteht aus einem Wärmetauscher, einem elektrisch angetriebenen Lüfter, Elektronik und NTC-Temperatursensoren, die mit einer Kunststoffabdeckung abgedeckt sind. Die Infrarot-Fernbedienung enthält eine Elektronik mit einem Display und Membrantasten in einem Kunststoffgehäuse, das auch zwei 1,5 VDC AAA-Batterien enthält. Alternativ kann eine Kabelfernbedienung für die Wandmontage mitgeliefert werden. Die Stromversorgung für die Kabelfernbedienung erfolgt über das Innengerät.

Aus Sicht des Explosionsschutzes beträgt die zulässige Umgebungstemperatur für das Gerät -20 °C bis +52 °C. Dieser Bereich kann durch die Betriebsgrenzen des Systems begrenzt werden.

Die AR-052 Klimaanlage ist CE-zertifiziert und erfüllt die europäischen Richtlinien EMC und ATEX und damit implizit auch die Niederspannungsrichtlinie.

2. Sicherheitshinweise

Die Klimaanlage ist ein explosionsssicheres Produkt, das für den Einsatz in Gefahrenbereichen mit Explosionsgefahr durch brennbare Gase, Dämpfe und Nebel, klassifiziert als Zone 2, geeignet ist.



Diese Anleitung muss für den sicheren Einsatz des Klimaanlage-Innengeräts gelesen und verstanden werden. Alle Warnhinweise und Anweisungen müssen eingehalten werden.

- Der Einbau muss von Fachpersonal durchgeführt werden, das in Explosionssicherheit geschult und qualifiziert ist und die erwähnten Anweisungen am Gerät und in dieser Anleitung berücksichtigt. Örtliche Bestimmungen, die für den Einbau gelten, müssen eingehalten werden.
- Schließen Sie diese Ausrüstung nur an die korrekte Spannung und an die Netzfrequenz an, für die es hergestellt wurde. Beziehen Sie sich auf die Angaben des Originalherstellers oder die Angaben, wie sie auf der am Gerät angebrachten Produktkennzeichnung des Originalherstellers aufgeführt sind.
- Isolieren Sie den Strom zum Klimaanlage-Innengerät vor der Elektroinstallation.
- Die Kunststoffabdeckung des Innengeräts kann elektrostatisch aufgeladen sein. Verwenden Sie nur einen feuchten Lappen, um die Abdeckung zu reinigen. Verwenden Sie keine Lösemittel.
- Für die Installation externer Netzteile (Netz- und Anschlusskabel vom Innen- ans Außengerät) in der Anschlussdose verwenden Sie ausschließlich zertifizierte Kabelverschraubungen und Blindstopfen, die für diese Nutzung geeignet sind. Beispielsweise können ATEX II 2 G Ex e Kabelverschraubungen verwendet werden.
- Legen Sie das Klimaanlage entweder still oder verwenden Sie es nicht, wenn es beschädigt ist.
- Während des Einbaus des Klimaanlage müssen nationale Sicherheitsbestimmungen eingehalten werden.
- Verwenden Sie die Klimaanlage unter den Umgebungsbedingungen, für die es spezifiziert ist. Das Abweichen von Umgebungsbedingungen kann zu einer

Beschädigung des Geräts beitragen und zu einer möglichen Gefahr für das Leben des Benutzers führen.

- Verwenden Sie die Klimaanlage nicht bei Temperaturen, die vom angegebenen Umgebungstemperaturbereich abweichen.
- Ein elektrischer Trennschalter, der explosionsicher in Übereinstimmung mit der Klassifizierung für seine Umgebung ist, muss in der Nähe des Außengeräts angebracht werden.
- Bauen Sie in die elektrische Stromversorgung eine Vorsicherung ein, die mit dem Stromverbrauch des Klimaanlage systems übereinstimmt.
- Die Klimaanlage darf nicht an als gefährlich klassifizierten Orten geöffnet werden, es sei denn, dass als erwiesen gilt, dass die Umgebung ungefährlich bzw. der Strom ausgeschaltet ist.
- Reparaturen dürfen nur vom Hersteller oder von einer vom Hersteller dafür bestimmten Person durchgeführt werden.
- Änderungen am Gerät oder Änderungen an der Konstruktion sind nicht erlaubt.
- Das Produkt darf ausschließlich für die Funktion, für die es hergestellt wurde, verwendet werden und soll in gutem und sauberem Zustand gehalten werden.
- Eine Betriebsanleitung für die explosionsichere Klimaanlage wird vom Originalhersteller bereitgestellt. Die Funktionalität wird durch die Umwandlung der Einheit in explosionsicher nicht verändert.

Wenn diese Anweisungen nicht eingehalten werden, kann die Explosionssicherheit des Geräts nicht garantiert werden. Das Gerät könnte dann das Leben des Benutzers gefährden und die Entzündung einer explosionsfähigen Atmosphäre bewirken. Folglich wird Artidor als der Hersteller keinerlei Haftung übernehmen.

3. Eigenschaften

Die Eigenschaften können folgendermaßen zusammengefasst werden:

- Ausgestattet mit einer Anschlussdose mit Kabelverschraubungen und Anschlussklemmen.
- Hergestellt auf Grundlage der Europäischen Richtlinie 2014/34/EU (ATEX 114).
- Geeignet für den Einsatz in explosionsgefährdeten Bereichen, klassifiziert als Zone 2.
- Verwendete Explosionssicherheitskategorie und Zündschutz:
Außengerät: II 3 G Ex ec h ic mc IIC T3 Gc
Innengerät: II 3 G Ex ec h ic IIC T4 Gc
Fernbedienung: II 3 G Ex ic IIC T6 Gc
- Schutzgrad gegen das Eindringen von Wasser und Staub IP54.

4. Technische Daten

Explosionssicherheitskategorie:	ATEX II 3 G
Europäische Richtlinie:	2014/30/EU (EMC) und 2014/34/EU (ATEX 114)
Zündschutz:	Ex ec h ic mc IIC T3 Gc (Außengerät) Ex ec h ic IIC T4 Gc (Innengerät) Ex ic IIC T6 Gc (Fernbedienung)
Verwendete Normen:	EN 60079-0:2018, EN 60079-7:2015 / A1:2018, EN 60079-11:2012, EN 60079-18:2015 / A1:2017, EN 80079-36:2016 und EN 80079-37:2016
Zertifizierungsurkunde:	Einheitsbewertungszertifikat
Umgebungstemperatur:	-20 °C bis +52 °C
Schutzgrad:	IP54 nach EN 60529.
Gehäusematerial Außengerät:	Stahlblechgehäuse
Gehäusematerial Innengerät:	Stahlblechrahmen und nichtmetallische Abdeckung
Anschlussklemmen:	Phoenix UK5N und USLKG5 4 mm² Ex e Klemmen
Erdungsanschluss	Extern, M6, Edelstahl

5. Anwendung

Die explosionsichere Klimaanlagen wurden entwickelt und eignen sich für den Einsatz in als explosionsgefährdet klassifizierten Bereichen aufgrund von brennbaren Gasen, Dämpfen und Nebel. Da sie explosionsicher und auf Grundlage von Gruppe II Kategorie 3 G der ATEX-Richtlinie zertifiziert sind, eignen sie sich für den Einsatz in explosionsgefährdeten Bereichen, klassifiziert als Zone 2.

Wenn der Einsatz in speziellen Umgebungsbedingungen erforderlich ist, wenden Sie sich bitte an Artidor Explosion Safety B.V.

6. Kennzeichnung

Bezüglich der Explosionssicherheit wurde die Klimaanlage auf Basis der grundlegenden Sicherheits- und Gesundheitsanforderungen der Europäischen Richtlinie 2014/34/EU (ATEX 114), die sich auf Gruppe II Kategorie 3 G bezieht, entworfen und hergestellt. Die Konformität mit den grundlegenden Gesundheits- und Sicherheitsanforderungen der ATEX-Richtlinie wurde durch Anwendung der neuesten harmonisierten technischen Standards erreicht. Die Umstellung des Systems auf Explosionsschutz hat keine Auswirkungen auf die Einhaltung der europäischen Richtlinien, wie sie in der Konformitätserklärung des Herstellers des Originalgeräts beschrieben sind.

Die spezifische Kennzeichnung der Klimaanlage hängt vom jeweiligen Modell ab. Die Kennzeichnung wird während des Prüfungs- und Zertifizierungsprozesses der jeweiligen Einheit erstellt:

Außengerät: II 3 G Ex ec h ic mc IIC T3 Gc

Innengerät: II 3 G Ex ec h ic IIC T4 Gc

Fernbedienung: II 3 G Ex ic IIC T6 Gc

Diese Kennzeichnung bedeutet, dass die Klimaanlage AR-052 für industrielle Anwendungen ausgelegt sind und die Anforderungen erfüllen, die für Geräte der Kategorie 3 für den Einsatz in explosionsgefährdeten Bereichen aufgrund des Vorhandenseins von Gas, Dampf oder Nebel festgelegt wurden. Dadurch sind die Geräte für den Einsatz in Zone 2 geeignet.

Die verwendeten Schutzmethoden sind Erhöhte Sicherheit (ec), Struktursicherheit (h), Eigensicherheit (ic) und Gießen (mc). Es gilt die Gasgruppe IIC. Die Temperaturklasse zum Zünden von Gas, Dampf oder Nebel ist T3 für das Außengerät und T4 für die Innengeräte. Die Klimaanlage AR-052 sind für Umgebungstemperaturen von -20 ° C bis +52 ° C geeignet.



Beispiel eines Etiketts für Außengeräte



Beispiel eines Etiketts für Innengeräte

7. Einbauvorschriften

Allgemeines

- Der Einbau eines explosions sicheren Geräts wie dieses Produkts muss von speziell geschultem Fachpersonal ausgeführt werden, wobei die relevanten Anforderungen des Installationsstandards EN 60079-14 eingehalten werden.
- Für den Einbau und den Einsatz dieses Produkts gelten die relevanten Sicherheitsbestimmungen und außerdem die anerkannten neuesten Regeln der Technik. Halten Sie ebenfalls die nationalen Bestimmungen und rechtlichen Anforderungen bezüglich elektrischer Anschlüsse ans Stromnetz ein.
- Schalten Sie die Stromversorgung vor der Installation aus.

Elektrische Anschlüsse

- Alle Modelle sind mit einer Anschlussdose mit Kabelverschraubungen und Anschlussklemmen ausgestattet.
- Befolgen Sie die Anweisungen, wie unter der vorangehenden Rubrik „Allgemeines“ angegeben.
- Stellen Sie sicher, dass die Kabelverschraubung in das einzelne verwendete Kabel, bezüglich Klemmengröße und Kabeltyp, passt. Falls nicht, verwenden Sie dann eine geeignete Kabelverschraubung und vergewissern Sie sich, dass sie für diese Anwendung zugelassen ist.
- Verbinden Sie einen Erdleiter mit dem Erdungskontakt und stellen Sie sicher, dass dies ausreichend mit elektrischer Masse verbunden ist.
- Die elektrische Stromversorgung muss wie in der Installationsanleitung des Originalherstellers angeschlossen werden. Die Original-Anschlussklemmen des Außengeräts werden von Klemmen in einer Anschlussdose ersetzt. Die Kennzeichnung

der Originalklemmen wird auf die Klemmen in der Anschlussdose übertragen. Die Leistungsklemmen sind mit dem Etikett 'Power In' gekennzeichnet.

- Das Innengerät muss wie im Original-Installationshandbuch beschrieben an das Außengerät und an die Fernbedienung angeschlossen werden. Die Original-Anschlussklemmen des Innengeräts wurden durch Klemmen in einer Anschlussdose ersetzt. Die Kennzeichnung der Originalklemmen finden Sie auf den Klemmen im Anschlusskasten. Die Anschlussklemmen für das Kabel zum Innengerät sind mit 'To Indoor unit' oder bei einem Multi-Split-Außengerät mit 'To Indoor unit #' gekennzeichnet.
- Zusätzlich muss eine Erdungsleitung an der PE-Anschlussklemme angeschlossen werden.
- Entfernen Sie über eine ausreichende Länge die Außenisolierung vom Kabel.
- Führen Sie das Kabel in die Anschlussdose und fixieren Sie die Kabelverschraubung.
- Verbinden Sie die Anschlusskabel und befolgen Sie die in dieser Bedienungsanleitung in Kapitel 12 „Anweisungen für den Anschluss der Ex e Anschlussklemmen“ gegebenen Anweisungen.
- Ziehen Sie alle Schrauben aller Anschlussklemmen fest und schließen Sie die Abdeckung.

8. Öffnen des Gehäuses

Die Einheit enthält keine Bestandteile, auf die unter normalen Betriebsbedingungen direkt zugegriffen werden muss. Der folgende Warnhinweis ist in Englischer Sprache gekennzeichnet: „Die Klimaanlage wurde auf explosionsicher modifiziert, wobei die ATEX-Anforderungen II 3 G erfüllt werden. Keine zu wartenden Teile im Inneren des Geräts. Wenden Sie sich an qualifiziertes Personal, da der Austausch von Teilen die Eignung für den Einsatz in Gefahrenbereichen beeinträchtigen kann“.

Das Gehäuse darf nur unter ungefährlichen, sicheren Bedingungen geöffnet werden. Befolgen Sie dazu die Anweisungen, wie unter der folgenden Rubrik „Reparatur“ beschrieben.

Das Fach, das die Anschlussklemmen enthält, ist für den Benutzer zugänglich, indem die vier Abdeckungsschrauben gelöst werden. Öffnen ist nur erlaubt, wenn die Stromzufuhr abgeschaltet wurde und der Bereich sich als ungefährlich erwiesen hat.

9. Wartung

Für die Wartung der Klimaanlage gelten die Anforderungen, wie in EN 60079-17 aufgeführt. Wenn die Klimaanlage beschädigt ist oder sich nicht mehr in gutem Zustand befindet, muss sie sofort repariert werden. Die Stromzufuhr zu den Klimaanlage-Einheiten muss

abgeschaltet und darf erst wiederhergestellt werden, wenn die Wartung erfolgt ist und genehmigt wurde.

Bezüglich der empfohlenen Wartungszyklen für die Klimaanlage verweisen wir auf die vom Originalhersteller bereitgestellte Betriebsanleitung.

Die Batterien der Infrarot-Fernbedienung dürfen nur durch Batterien der gleichen Größe und des gleichen Typs wie ursprünglich geliefert ersetzt werden.

10. Reparatur

Reparaturen an AR-052 Klimaanlage dürfen nur mit Originalteilen erfolgen, die von Artidor Explosion Safety B.V. bewertet, umgebaut und gekennzeichnet wurden. Reparaturen dürfen nur von qualifiziertem Fachpersonal ausgeführt werden, die gemäß EN 60079-19 geschult wurden. Der Einsatz von nicht-bewerteten, nicht-umgebauten und nicht-gekennzeichneten Teilen kann zu Personen- oder Geräteschäden führen.

Wenn Nicht-Original-Ersatzteile verwendet oder Reparaturen auf unsachgemäße Weise ausgeführt werden, kann die Explosionssicherheit der Klimaanlage nicht mehr garantiert werden. Es wird daher vorgezogen, dass die Klimaanlage für Reparaturen an den Hersteller oder dessen Vertreter zurückgegeben wird.

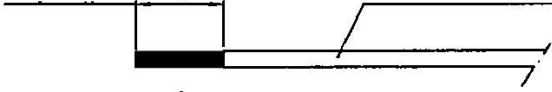
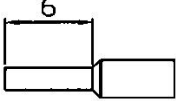
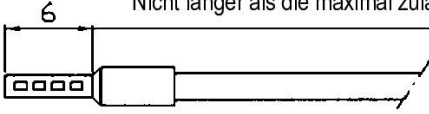
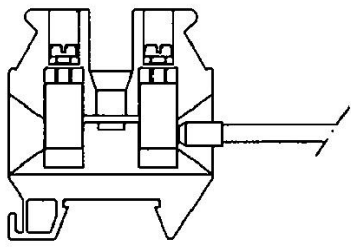
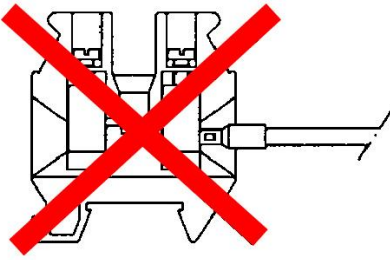
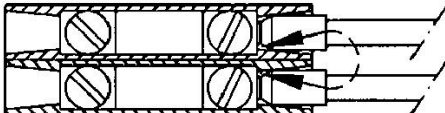
Wenn das Gehäuse geöffnet wird, muss auf Folgendes geachtet werden:

- Das Gehäuse darf nicht geöffnet werden, es sei denn, dass vor der Reparatur der Strom abgeschaltet wurde.
- Das Gehäuse darf nicht geöffnet werden, es sei denn, dass es als erwiesen gilt, dass die Umgebung ungefährlich ist.
- Falls es geöffnet wird, wird das Klimaanlagen-Innengerät in logischer Reihenfolge demontiert.

11. Entsorgung / Wiederverwendung

Für die Durchführung von Entsorgung bzw. Wiederverwendung des Produkts und seiner Verpackung, müssen nationale Entsorgungs- und Umweltgesetze und Rechtsvorschriften eingehalten werden.

12. Anweisungen für den Anschluss der Ex e Anschlussklemmen

- Abisolierte Länge 6 Ader des externen Anschlusskabels.
1. Ader  Isolierung temperaturbeständig bis 70°C oder höher.
2. Aderendhülse  Aderendhülse mit Isolierhülse, temperaturbeständig bis 70°C oder höher. Größe geeignet für deren Anschluss an die verwendete Ader.
3. Ader Baugruppe  Nicht länger als die maximal zulässige Drahtlänge der verwendeten Klemme.
4. Anschluss der Ader an die Ex e Klemme  **RICHTIG**
Die Aderendhülse ist richtig installiert, ohne eine verbleibende freie Metalloberfläche, wobei ein Sicherheitsabstand von > 5 mm garantiert ist.
-  **FALSCH**
Die Aderendhülse ist falsch installiert: der frei liegenden Metalloberfläche könnte den Sicherheitsabstand zwischen zwei Klemmen unwirksam machen.
5. Sicherheitsabstand  Der Mindest-Sicherheitsabstand zwischen freien, spannungsführende Metallteilen ist > 5 mm.

D

Änderungen in dieser Gebrauchsanleitung können ohne vorherige Ankündigung durchgeführt werden

D

Installatiehandleiding AR-052 airconditioning systemen

Inhoudsopgave

1.	Algemeen	31
2.	Veiligheidsinstructies	32
3.	Kenmerken	33
4.	Toepassing	33
5.	Technische gegevens	34
6.	Markering	34
7.	Installatie instructies	35
8.	Openen van de behuizing	36
9.	Onderhoud	37
10.	Reparatie	37
11.	Verwijdering / hergebruik	38
12.	Instructies voor gebruik van Ex e aansluitklemmen	38

1. Algemeen

Gefeliciteerd met de aankoop van uw explosieveilige AR-052 airconditioning systeem. Als u de instructies uit deze handleiding volgt zult u vele jaren plezier van uw nieuwe airconditioning systeem hebben.

Het airconditioning systeem bestaat uit een buitenunit en een binnenunit met een afstandsbediening. In bedrijf koel het systeem de lucht. De binnenunit bevat een warmtewisselaar welke verbonden is met de buitenunit door middel van speciaal leidingwerk. De buitenunit zorgt voor een continue stroom van koude vloeistof die de temperatuur van de warmtewisselaar verlaagt, welke op haar beurt de warmte aan de lucht onttrekt, wat resulteert in een verlaging van de kamertemperatuur. De afstandsbediening stelt de gebruiker in staat de binnenunit te bedienen.

De buitenunit heeft een plaatstalen behuizing en bevat een warmtewisselaar, een hermetisch gesloten compressor, een of meerdere kleppen om het koelmiddel te regelen, een elektrisch aangedreven ventilator, elektronica en NTC temperatuur sensoren. De plaatstalen behuizing is gedeeltelijk onderdeel van de toegepaste bescherming tegen ontsteking.

De binnenunit bestaat uit een warmtewisselaar, een elektrisch aangedreven ventilator, elektronica en NTC temperatuur sensoren, afgedekt met een kunststof kap. De infrarode afstandsbediening bevat elektronica met een display en membraam drukknoppen, in een kunststof behuizing welke ook twee 1,5 V DC AAA batterijen bevat. Als alternatief kan een bedrade afstandsbediening voor montage tegen de wand worden geleverd. De

stroomvoorziening voor de bedrade afstandsbediening wordt door de binnenunit geleverd. Vanuit de explosieveiligheid gezien is de toegestane omgevingstemperatuur voor het apparaat -20 °C tot +52 °C. Dit bereik kan worden beperkt door de operationele limieten van het systeem.

Het AR-052 airconditioning systeem is CE gemarkeerd en voldoet aan de Europese EMC en ATEX richtlijnen en daarmee impliciet aan de Laagspanningsrichtlijn.

2. Veiligheidsinstructies

Het airconditioning split systeem serie AR-052 is een explosieveilig product geschikt voor gebruik in geclassificeerde omgevingen met ontploffingsgevaar met betrekking tot ontvlambare gassen, dampen en nevels geclassificeerd als Zone 2.



Lees en begrijp deze handleiding voor veilig gebruik van de airconditioner, neem alle waarschuwingen in acht en volg de instructies op.

- Installatie mag alleen worden uitgevoerd door in explosieveiligheid getraind en gekwalificeerd personeel met in acht name van de vermelde opschriften op het apparaat, de instructies vermeld in deze handleiding en van de lokaal geldende installatie voorschriften.
- Sluit dit apparaat alleen aan op de voedingsspanning en netfrequentie waarvoor het is ontworpen. Raadpleeg de specificatie van het oorspronkelijke apparaat of de specificaties zoals door de fabrikant op het apparaat aangebracht.
- Schakel voorafgaand aan het elektrisch aansluiten of loskoppelen de airconditioner spanningsvrij.
- De kunststof behuizing van de binnenunit kan zich electrostatisch opladen. Gebruik daarom alleen een vochtige doek bij het schoonmaken. Gebruik hierbij geen oplosmiddelen.
- Bij het installeren van de voeding (hoofdvoeding en aansluitingen van buiten- naar binnenunit) in de aansluitkast mogen alleen gecertificeerde kabelwartels en blindpluggen worden gebruikt. Bijvoorbeeld ATEX II 2 G Ex e kabelwartels kunnen worden gebruikt.
- Gebruik de airconditioner niet of stel deze buiten bedrijf wanneer deze beschadigd is.
- Bij het inbedrijfstellen dienen de nationale veiligheidsvoorschriften in acht te worden genomen.
- Gebruik de airconditioner alleen onder de opgegeven omgevingscondities. Afwijkende omgevingscondities kunnen leiden tot schade aan het apparaat en kunnen mogelijk het leven van de gebruiker in gevaar brengen.

- Gebruik de airconditioner niet buiten het vermelde omgevingstemperatuurbereik.
- Een veiligheidsschakelaar die explosie veilig is conform de classificatie van de omgeving moet geïnstalleerd worden in de nabijheid van de buitenunit.
- Zeker de voeding af overeenkomstig het stroomverbruik van het systeem.
- Het airconditioning systeem mag niet geopend worden in explosiegevaarlijke omgevingen, tenzij bekend is dat de omgeving ongevaarlijk is of de apparatuur is uitgeschakeld.
- Reparaties mogen slechts door de fabrikant of door een door haar aangewezen persoon worden uitgevoerd.
- Modificatie van het apparaat of veranderingen aan het ontwerp zijn niet toegestaan.
- Het product mag uitsluitend worden gebruikt voor de functie waarvoor het is ontworpen en dient in een goede en schone conditie te worden gehouden.
- Voor de AR-052 serie airconditioners wordt door de oorspronkelijke fabrikant een handleiding verstrekt. De functionaliteit is ook na de conversie naar explosie veilig ongewijzigd gebleven.

Bij het niet aanhouden van de voornoemde instructies kan de explosie veiligheid van het apparaat niet worden gegarandeerd. Het apparaat zou dan tot een gevaar voor het leven van de gebruiker kunnen leiden en zou de ontsteking van een ontploffingsgevaarlijke atmosfeer kunnen veroorzaken.

N

3. Kenmerken

De kenmerken van het systeem zijn:

- Uitgerust met een aansluitkast met kabelwartels en aansluitklemmen.
- Geproduceerd op basis van Europese Richtlijn 2014/34/EU (ATEX 114).
- Geschikt voor gebruik in gas explosiegevaarlijke gebieden geclassificeerd als Zone 2.
- Toegepaste productcategorie en bescherming tegen ontsteking (typisch):
 buitenunit: II 3 G Ex ec h ic mc IIC T3 Gc
 binnenunit: II 3 G Ex ec h ic IIC T4 Gc
 afstandsbediening: II 3 G Ex ic IIC T6 Gc
- Beschermingsgraad tegen binnendringen van water en stof IP54.

4. Toepassing

De AR-052 explosie veilige airconditioners zijn ontworpen en geschikt voor gebruik in geclassificeerde ruimten met ontploffingsgevaar met betrekking tot ontvlambare gassen, dampen en nevels. Omdat zij explosie veilig en gecertificeerd is op basis van Groep II

Categorie 3 G van de Europese ATEX richtlijn, zijn zij geschikt voor gebruik in explosiegevaarlijke gebieden geclassificeerd als Zone 2.

Neemt u voor gebruik in speciale omgevingen contact op met Artidor Explosion Safety B.V.

5. Technische gegevens

Explosieveiligheid categorie:	ATEX II 3 G
Europese richtlijnen:	2014/30/EU (EMC) en 2014/34/EU (ATEX 114)
Beschermingswijze:	Ex ec h ic mc IIC T3 Gc (buitenunit) Ex ec h ic IIC T4 Gc (binnenunit) Ex ic IIC T6 Gc (afstandsbediening)
Toegepaste normen:	EN 60079-0:2018, EN 60079-7:2015 / A1:2018, EN 60079-11:2012, EN 60079-18:2015 / A1:2017, EN 80079-36:2016 en EN 80079-37:2016
Certificaat:	Unit assessment certificaat
Omgevingstemperatuur:	-20 °C tot +52 °C
Beschermingsgraad:	IP54 volgens EN 60529
Materiaal behuizing buitenunit:	Plaatstalen behuizing
Materiaal behuizing binnenunit:	Plaatstalen frame en kunststof kap
Aansluiting:	Phoenix UK5N en USLKG5 4 mm ² Ex e aansluitklemmen
Aardverbinding:	Extern, M6, roestvaststaal

6. Markering

Wat betreft de explosieveiligheid zijn de airconditioners onderzocht, gemodificeerd, gecertificeerd en gemarkeerd op basis van de essentiële veiligheidseisen van Europese richtlijn 2014/34/EU (ATEX 114) met betrekking tot Groep II Categorie 3 G.

Overeenstemming met de Essentiële Gezondheids- en Veiligheidseisen van de ATEX richtlijn is bereikt door het toepassen van de laatste geharmoniseerde technische normen.

De conversie van het systeem naar explosieveilig is niet van invloed op de conformiteit aan de Europese richtlijnen zoals beschreven in de Verklaring van Overeenstemming uitgegeven door de fabrikant van het oorspronkelijke apparaat.

De specifieke markering van de airconditioning units hangt af van het specifieke model. De markering ontstaat tijdens het onderzoek en certificatieproces van de specifieke unit:

buitenunit: II 3 G Ex ec h ic mc IIC T3 Gc

binnenunit: II 3 G Ex ec h ic IIC T4 Gc

afstandsbediening: II 3 G Ex ic IIC T6 Gc

Deze markering houdt in dat de AR-052 airconditioning systemen zijn ontworpen voor industriële toepassingen en voldoen aan de eisen zoals gesteld aan Categorie 3 apparatuur

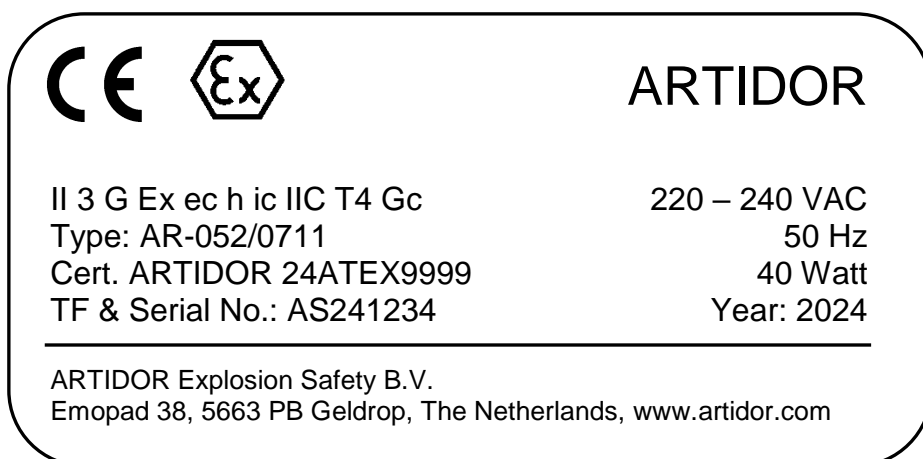
voor gebruik in explosiegevaarlijke omgevingen door de aanwezigheid van gas, damp of nevel. Dit maakt de units geschikt voor gebruik in Zone 2.

De toegepaste beschermingswijzen zijn Verhoogde Veiligheid (ec), Constructieve Veiligheid (h), Intrinsieke Veiligheid (ic) en Afgieten (mc). Gasgroep IIC is van toepassing. De temperatuurklasse voor het ontsteken van gas, damp of nevel is T3 voor de buitenunit en T4 voor de binnenunits.

De AR-052 airconditioning systemen zijn geschikt voor omgevingstemperaturen van -20 °C tot +52 °C.



Voorbeeld van een label van een buitenunit



Voorbeeld van een label van een binnenunit

7. Installatie instructies

Algemeen

- Installatie van explosie veilig materieel, dus ook van dit product, moet worden verricht door speciaal daarvoor onderricht en gekwalificeerd personeel waarbij de relevante bepalingen van de installatienorm EN 60079-14 in acht moeten worden genomen.

- Voor installatie en gebruik van dit product zijn de relevante veiligheidsvoorschriften evenals de algemeen erkende laatste stand der techniek maatgevend. Volg nationale regelgeving en juridische voorwaarden gerelateerd aan elektrische verbindingen met het elektriciteitsnet.
- Schakel de voedingsspanning voor het installeren af.

Elektrische aansluitingen

- Alle modellen zijn uitgerust met een aansluitkast met kabelwartels en aansluitklemmen.
- Volg de instructies zoals gegeven onder het voorgaande kopje 'Algemeen'.
- Stel zeker dat de klemdiameter en het type kabelwartel past bij de gebruikte kabel. Indien dit niet het geval is, zorg dan voor een geschikte kabelwartel die is goedgekeurd voor de toepassing.
- Sluit een aardkabel aan op de externe aardaansluiting en stel zeker dat deze voldoende verbonden is met aarde.
- De voedingsspanning moet aangesloten worden zoals beschreven in de originele installatiehandleiding. De originele aansluitklemmen zijn vervangen door klemmen in een aansluitkast. De markering van de originele aansluitklemmen vindt u terug op de klemmen in de aansluitkast. De aansluitklemmen voor de voedingsspanning zijn gemarkeerd met het label 'Power In'.
- De binnenunit moet aangesloten worden op de buitenunit en op de vaste afstandsbediening zoals beschreven in de originele installatiehandleiding. De originele aansluitklemmen zijn vervangen door klemmen in een aansluitkastje. De markering van de originele klemmen vindt u terug op de klemmen in de aansluitkast. De aansluitklemmen voor de kabel naar de binnenunit zijn gemarkeerd als "To Indoor unit" of met "To Indoor unit #" in het geval van een multisplit buitenunit.
- Aanvullend moet er een aardkabel worden aangesloten op de PE aansluitklem.
- Verwijder de isolatie over voldoende lengte van de kabel.
- Voer de kabel door de kabelwartel in het aansluitkastje en draai de wartel aan.
- Sluit de aansluitdraden aan en volg de instructies zoals beschreven in deze handleiding in hoofdstuk (12) "Instructies voor gebruik van Ex e aansluitklemmen".
- Draai alle schroeven van alle aansluitklemmen vast en sluit de kap.

8. Openen van de behuizing

De unit bevat geen onderdelen waar de gebruiker tijdens normaal gebruik toegang toe moet hebben. De volgende waarschuwing is op de unit aangebracht: "The air conditioning unit is modified to explosion-safe meeting ATEX requirements II 3 G. No serviceable parts inside."

Refer to qualified personnel as substitution of parts may impair the suitability for use in hazardous areas.”

De behuizing mag alleen geopend worden in een niet-explosiegevaarlijke omgeving.

Hiervoor dienen de instructies te worden gevolgd onder “Reparatie”.

Het compartiment met de aansluitklemmen is toegankelijk voor de gebruiker door de vier schroeven van het deksel te verwijderen. Dit is alleen toegestaan wanneer de stroomvoorziening is uitgeschakeld en de omgeving niet explosiegevaarlijk is.

9. Onderhoud

Voor het onderhoud van de AR-052 airconditioners zijn de voorschriften zoals verwoord in EN 60079-17 van toepassing.

Als de airconditioner is beschadigd of anderszins niet meer in goede staat verkeert moet dit direct worden hersteld. Als reparatie nodig is, moet de voedingsspanning van de airconditioner worden afgeschakeld en pas na goedkeuring van de reparatie weer worden hersteld.

Voor het vereiste onderhoudsinterval van de airconditioner verwijzen wij u naar de handleiding van de fabrikant van het oorspronkelijke apparaat.

De batterijen van de infrarode afstandsbediening mogen alleen vervangen worden door batterijen van hetzelfde formaat en type als oorspronkelijk geleverd.

10. Reparatie

Reparaties aan de AR-052 airconditioners mogen alleen uitgevoerd worden met gebruik van originele onderdelen die gecontroleerd, omgebouwd en gelabeld zijn door Artidor Explosion Safety B.V. Reparaties mogen alleen uitgevoerd worden door gekwalificeerd personeel dat is getraind volgens norm EN 60079-19. Het gebruik van niet gecontroleerde, niet geconverteerde of niet gemarkeerde onderdelen kan leiden tot verwondingen bij personen of schade aan apparatuur.

Als niet originele onderdelen worden gebruikt of als reparaties op een onprofessionele manier worden uitgevoerd kan de explosieveiligheid van de airconditioner niet langer worden gegarandeerd. Daarom heeft het de voorkeur de airconditioner voor reparatie te retourneren aan de fabrikant of zijn vertegenwoordiger.

Indien de behuizing geopend is, moet het volgende in acht worden genomen:

- De behuizing mag alleen geopend worden indien de stroom is uitgeschakeld voorafgaand aan de reparatie.
- De behuizing mag alleen geopend worden indien de omgeving niet-explosiegevaarlijk is.

- Indien geopend, moet de AR-052 airconditioner in een logische volgorde worden gedemonteerd.

11. Verwijdering / hergebruik

Voor verwerking met betrekking tot verwijdering of hergebruik van het product en de verpakking moeten de nationale milieuwetten en regelgeving worden opgevolgd.

12. Instructies voor gebruik van Ex e aansluitklemmen

1. Draad

Striplengte 6

Draad van de externe verbindingskabel.

Isolatie bestand tegen temperaturen van 70°C of hoger.
2. Adereindhuls

6

Adereindhuls met geïsoleerde mantel, bestand tegen temperaturen van 70°C of hoger. De maat moet geschikt zijn voor de verbinding met de draad.
3. Samenstelling van de draad met adereindhuls

6

Striplengte niet langer dan toegestaan bij de gebruikte aansluitklem.
4. Verbinden van de draad met de Ex e aansluitklem

GOED
De adereindhuls is goed geïnstalleerd, zonder uitstekende blanke metalen delen waarmee een isolatieafstand van > 5 mm wordt verzekerd.

FOUT
De adereindhuls is niet goed geïnstalleerd: het blootliggende metalen oppervlak kan de isolatieafstand tussen de twee aansluitklemmen beperken.
5. Isolatieafstand

De minimale isolatieafstand tussen de blanke metalen stroomvoerende delen > 5 mm.

Veranderingen in deze handleiding kunnen zonder aankondiging worden doorgevoerd.

EU Declaration of Conformity



We

Artidor Explosion Safety B.V.
Emopad 38, 5663 PB Geldrop, The Netherlands

herewith declare that the
Explosion-safe air conditioning type series

AR-052/*

labelled with the distinctive community mark including the code of the
protection degree against ignition and temperature class:

  II 3 G Ex ec h ic mc IIC T3 Gc outdoor unit
II 3 G Ex ec h ic IIC T4 Gc indoor unit
II 3 G Ex ic IIC T6 Gc remote Control

produced under the Artidor Quality Assurance system in accordance with
ISO 9001:2015 and annex VIII of Directive 2014/34/EU

is in conformity with the relevant Union harmonization legislation:

2009/125/EC
EcoDesign

2014/30/EU
Concerning electromagnetic compatibility

2014/34/EU
Concerning equipment and protective systems intended
for use in potentially explosive atmospheres,

and that the following standards regarding explosion safety have been applied:

EN 60079-0:2018
EN 60079-7:2015 / A1:2018
EN 60079-11:2012
EN 60079-18:2015 / A1:2017
EN 80079-36:2016
EN 80079-37:2016

This declaration of conformity is issued under the sole responsibility of the manufacturer

Geldrop, 21 March 2024

Signed



M. Moolenaar
Managing Director and EX Authorized Person

